

AMBAT ICONCRANES PVT. LTD.

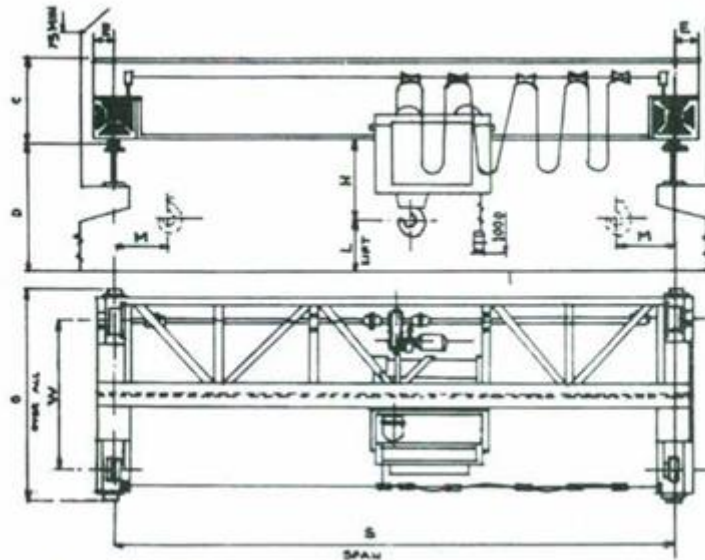
An ISO 9001:2008 Company



“ LET US MEET n LIFT ”



Single Girder EOT Cranes



CAPACITY TONNES	SPAN MTRS S	LIFT MTRS L	HOIST TYPE	HOISTING SPEED Mtrs. Min.	WHEEL BASE MM W	HOOK APPROACH MM M	HEAD ROOM MM C	END CLEARANCE MM E	TOP RAIL TO HOOK MM H	CRANE WIDTH MM O	L.T WHEEL LOAD KG. (APROX)	CRANE WEIGHT KG. (APROX)
1	6	10	SM-221-X-2	10	1800	800	500	160	450	2400	940	1690
	9	10			2000	800	500	160	450	2600	1040	2140
	12	10			2400	800	600	160	600	3000	1250	2990
	15	10			3000	800	850	160	750	3600	1350	3390
	18	10			3600	800	850	160	750	4200	1450	3790
2	6	5	SM-221-X-4	5	1800	800	600	160	450	2400	1530	1990
	9	5			2000	800	600	160	450	2600	1630	2390
	12	5			2400	800	800	160	600	3000	1855	3290
	15	5			3000	800	950	160	750	3600	2115	4340
	18	5			3600	800	950	160	750	4200	2280	4990
3	6	10	SM-223-N-2	7	2000	950	700	175	700	2600	2200	2490
	9	10			3000	950	700	175	700	2600	2525	3090
	12	10			2400	950	850	175	750	3000	2600	4090
	15	10			3000	950	1000	175	900	3600	2750	4690
	18	10			3600	950	1000	175	900	4200	3075	5990
5	6	7	SM-223-X-4	5	1500	1000	700	225	1500	2000	3090	2590
	9	7			2200	1000	800	225	1500	2800	3200	3190
	12	7			2400	1000	950	225	1500	3000	3450	4190
	15	7			3000	1000	1100	225	1500	3600	3750	5390
	18	7			3600	1000	1100	225	1500	4200	4115	6840
7.5	6	8.5	SM-225-N-3	3.5	1800	1050	800	225	1800	2400	4790	3790
	9	8.5			2200	1050	1000	225	1800	2800	5020	4690
	12	8.5			2400	1050	1000	225	1800	3000	5290	5790
	15	8.5			3000	1050	1200	225	1800	3600	5580	6890
	18	8.5			3600	1050	1200	225	1800	4200	5890	8190
10	6	10	SM-225-X-4	2.5	1800	1150	800	250	750	2400	5880	4190
	9	10			2200	1150	1000	250	750	2800	6180	5390
	12	10			2400	1150	1100	250	900	3000	6440	6390
	15	10			3000	1150	1250	250	950	3600	6780	7790
	18	10			3600	1150	1250	250	1000	4200	7255	9690

NOTE :

- Technical parameters listed as above are as per our design standards. Exact specifications to suit customers requirement can be provided as per order.
- Above specifications are for class II Duty Crane as per ISS IS-807 1963 & ISS IS 3177-1977 (Revised) and 800.
- Dimension for monogirder cranes above 10 Ton S.W.L. & 18 M-Span an be supplied on request.
- Due to continuous design improvement. dimensions are subject to change without notice.
- We can supply central drive as per requirement.
- We can supply Class IV duty cranes.